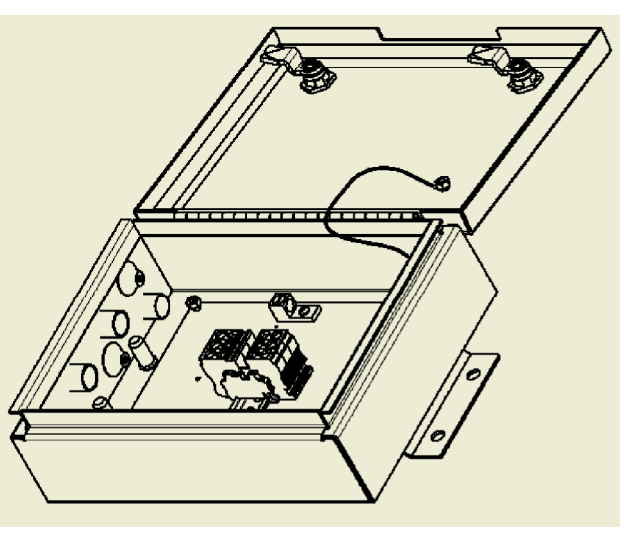
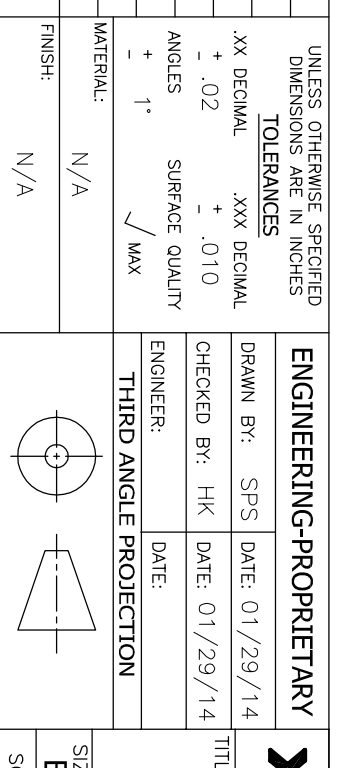
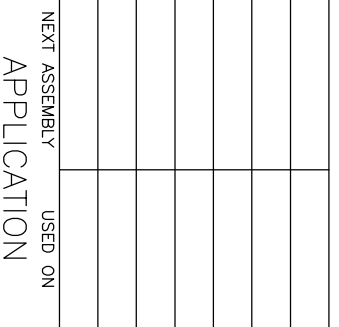
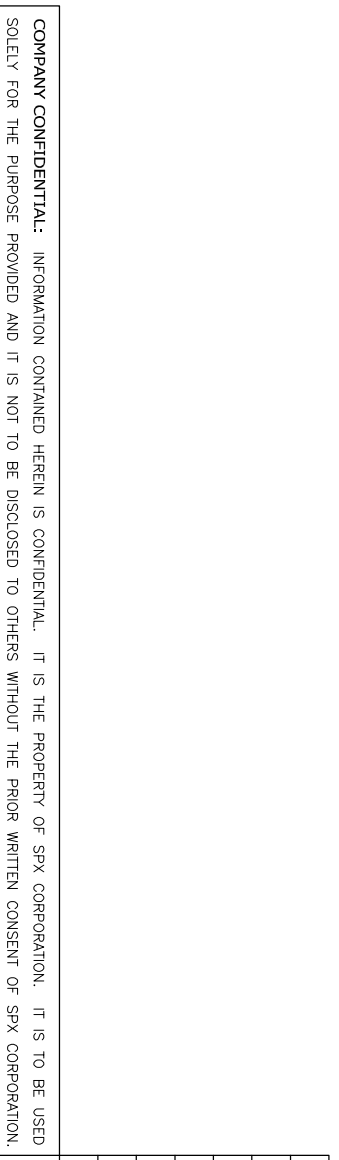
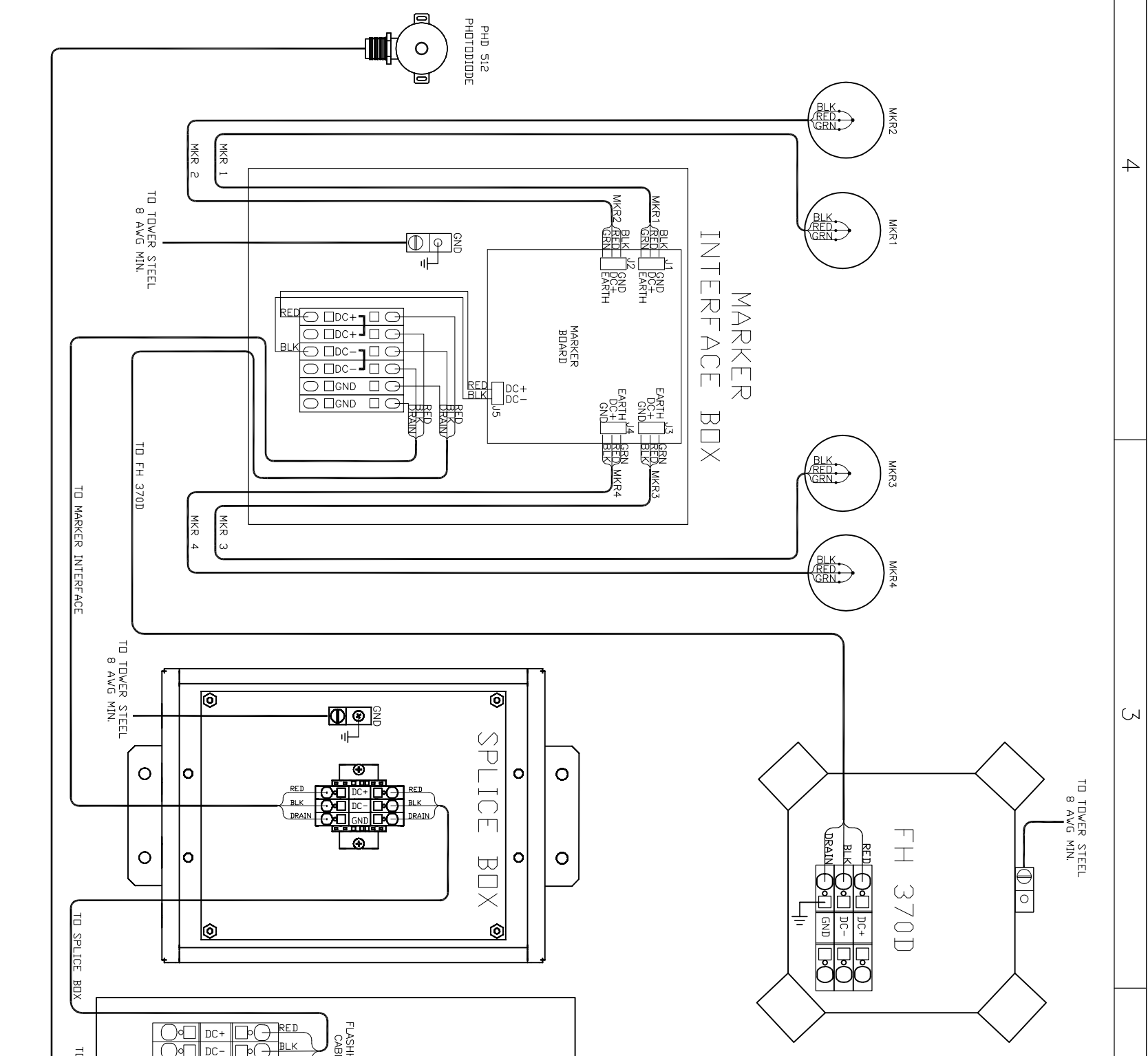


REVISIONS		DESCRIPTION	REV BY	DATE	APPR BY
ZONE	REV	ECO			
A	5791	PRODUCTION RELEASE	SPS	01/29/14	HK



FTS 370D  
SPLICE BOX  
(ISD VIEW)



UNLESS OTHERWISE SPECIFIED DIMENSIONS ARE IN INCHES

**TOLERANCES**

.XX DECIMAL	.XXX DECIMAL
+ .02	+ .010
ANGLES	SURFACE QUALITY
+ 1°	✓ MAX

MATERIAL: N/A

FINISH: N/A

ENGINEERING-PROPRIETARY

DRAWN BY: SPS DATE: 01/29/14

CHECKED BY: HK DATE: 01/29/14

ENGINEER: DATE:

THIRD ANGLE PROJECTION

Flash Technology

332 NICHOL MILLS LANE  
FRANKLIN, TN 37067  
UNITED STATES OF AMERICA  
PHONE: (615) 503-2000  
FAX: (615) 261-2600

TITLE: INSTALL DWG  
SPLICE BOX  
FTS 370D

SIZE: B DWG NO: 7812820

SCALE: NTS SHEET: 1 OF 1

REV A