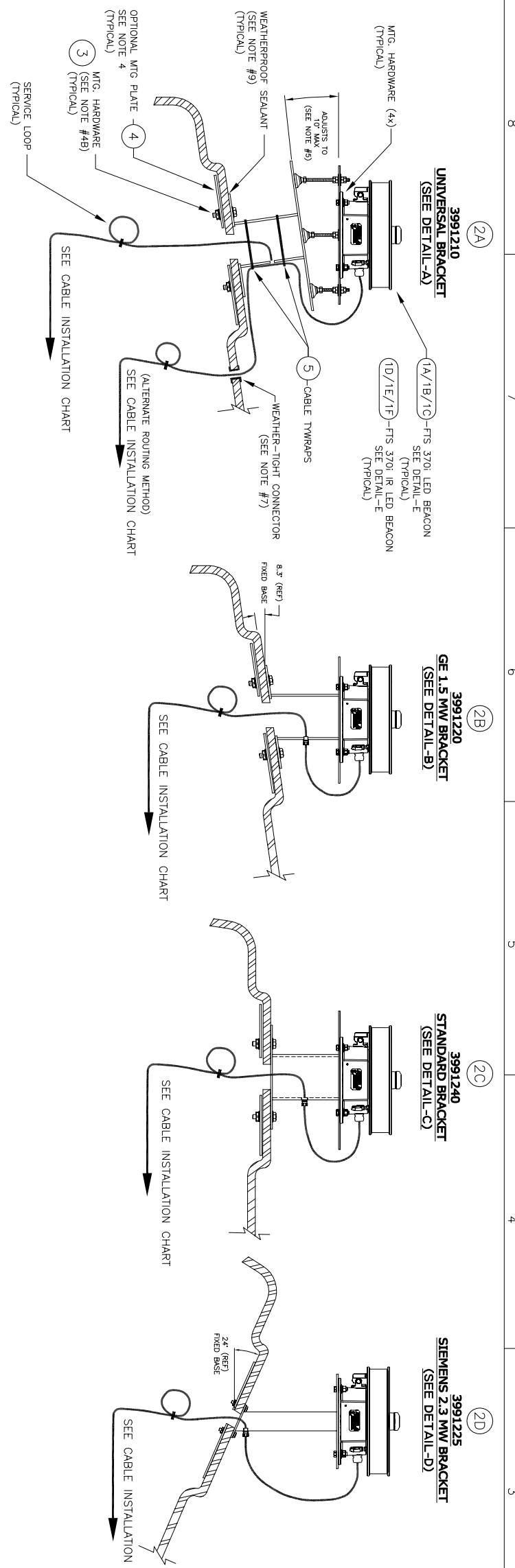
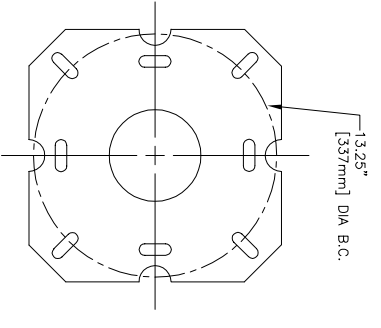
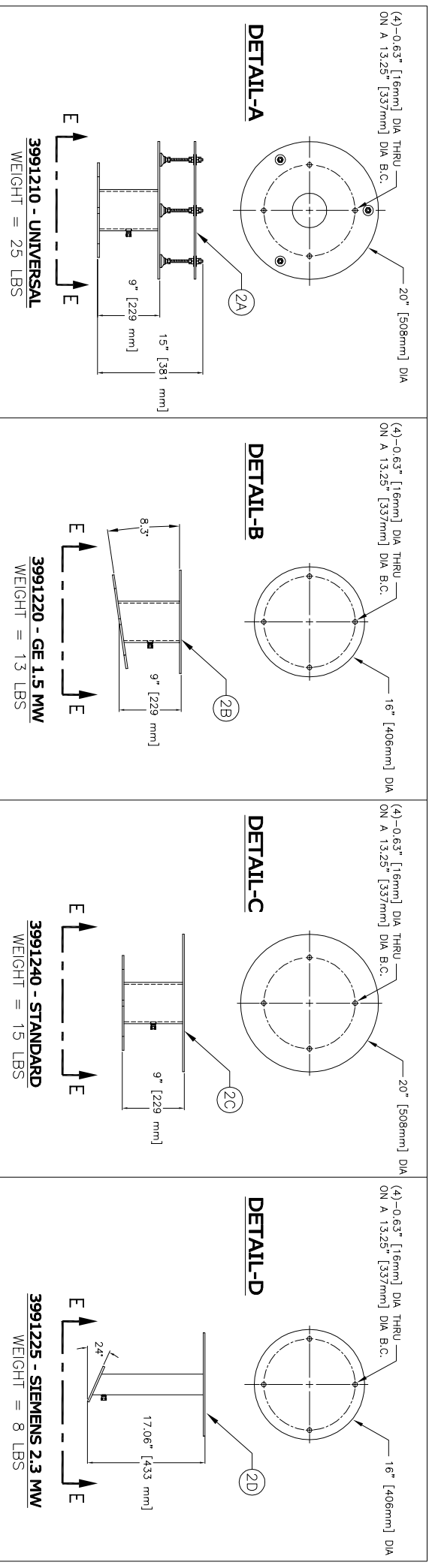
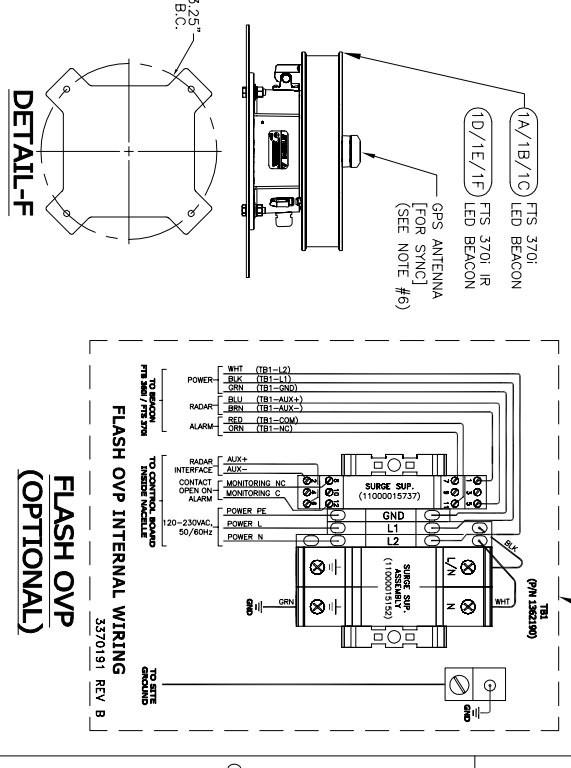


ZONE	REV	ECO	DESCRIPTION	REV BY	DATE	APPR BY
A	6082		PRODUCTION RELEASE	SG	08/28/15	MW
B	6120		ADDED (2D) F3991225	SG	11/23/15	
C	6218		CLARIFIED WRING AND NOTES	SG	08/16/16	

REVISIONS			REV BY	DATE	APPR BY
1A	1370170	FTS370I LED INTEGRATED L864	SG	08/28/15	
1B	1370171	FTS370I LED INTEGRATED L864 ORGA 'G' SYNC	SG	08/28/15	
1C	1370172	FTS370I LED INTEGRATED L864 UNIMAR SYNC	SG	11/23/15	
1D	1370270	FTS370I IR LED INTEGRATED L864	SG	08/28/15	
1E	1370271	FTS370I IR LED INTEGRATED L864 ORGA 'G' SYNC	SG	08/28/15	
1F	1370272	FTS370I IR LED INTEGRATED L864 UNIMAR SYNC	SG	08/28/15	
2A	3991210	MOUNTING BRACKET ASSEMBLY-UNIVERSAL	SG	08/28/15	
2B	3991220	MOUNTING BRACKET ASSEMBLY-GE 1.5 MW	SG	08/28/15	
2C	3991240	MOUNTING BRACKET ASSEMBLY-STANDARD	SG	08/28/15	
2D	3991225	MOUNTING BRACKET ASSEMBLY-SIEMENS 2.3 MW	SG	08/28/15	
4	3991212	MOUNTING PLATE	SG	08/28/15	
5	5990305P	CABLE TYWRAP - POLYPROPYLENE	SG	08/28/15	
6	1390191	FLASH OVP-RADAR (OPTIONAL)	SG	08/28/15	



**WIND TURBINE NACELLE INSTALLATION DIAGRAMS  
(REPRESENTATION ONLY)**



**CABLE INSTALLATION CHART  
(SEE NOTES #2 & #3)**

TERMINAL	FTS 370I	ORGA	UNIMAR
L1/POWER	BLACK	BLACK	BLACK
L2/NEUTRAL	WHITE	WHITE	WHITE
GROUND	GREEN	GREEN	GREEN
ALARM COMM.	RED	ORANGE	ORANGE
ALARM NC	N/A	ORANGE	RED
ALARM NOT USED	N/A	BLACK	N/A
RADAR AUX-	BROWN	N/A	N/A
RADAR AUX+	BLUE	BLUE	N/A

**BILL OF MATERIAL**

ITEM	COMPONENT	DESCRIPTION	QTY	UNIT
1A	1370170	FTS370I LED INTEGRATED L864	1	EA
1B	1370171	FTS370I LED INTEGRATED L864 ORGA 'G' SYNC	1	EA
1C	1370172	FTS370I LED INTEGRATED L864 UNIMAR SYNC	1	EA
1D	1370270	FTS370I IR LED INTEGRATED L864	1	EA
1E	1370271	FTS370I IR LED INTEGRATED L864 ORGA 'G' SYNC	1	EA
1F	1370272	FTS370I IR LED INTEGRATED L864 UNIMAR SYNC	1	EA
2A	3991210	MOUNTING BRACKET ASSEMBLY-UNIVERSAL	1	EA
2B	3991220	MOUNTING BRACKET ASSEMBLY-GE 1.5 MW	1	EA
2C	3991240	MOUNTING BRACKET ASSEMBLY-STANDARD	1	EA
2D	3991225	MOUNTING BRACKET ASSEMBLY-SIEMENS 2.3 MW	1	EA
3	5991770	MOUNTING HARDWARE ASSEMBLY	1	EA
4	3991212	MOUNTING PLATE	2	EA
5	5990305P	CABLE TYWRAP - POLYPROPYLENE	2	EA
6	1390191	FLASH OVP-RADAR (OPTIONAL)	1	EA

**GENERAL NOTES:**

- LIGHTNING ROD INFORMATION (RECOMMENDED):**
  - USE A LIGHTNING ROD EXTENDED INSTALLED PER MANUFACTURER'S RECOMMENDATIONS.
  - LOCATE LIGHTNING ROD WHERE IT WILL NOT INTERFERE WITH ACCESS BY MAINTENANCE OR SERVICE PERSONNEL.
- STEPS FOR PROPER GROUNDING:**
  - CUSTOMER TO PROVIDE ALL OTHER METHODS OF GROUNDING, PER NEC REQUIREMENTS.
  - ALL GROUNDS SHOULD BE ASSURED A DIRECT ELECTRICAL PATH TO EARTH GROUND.
- CABLE INSTALLATION:**
  - INPUT POWER IS 120-240VAC, 50/60HZ, 0.68A RMS.
  - CABLE TERMINATION TO BE PROVIDED BY OTHERS.
  - MONITORING OF DRY CONTACT ALARMS TO BE PROVIDED BY OTHERS.
- CONTACT FLASH TECHNOLOGY SALES DEPT. (PHONE: 800-821-5825):**
  - CUSTOMER TO VERIFY SPECIFICATIONS OF NACELLE TO SELECT APPROPRIATE MFG. BRACKET.
  - HARDWARE IS INCLUDED WITH MFG. BRACKET ASSEMBLY.
- LEVELING SYSTEM & TORQUE SETTINGS USED ON ITEM - 2A) UNIVERSAL MFG. BRACKET:**
  - LEVELING SYSTEM ON 3991210, USES THREE POINT GEOMETRIC PLANE DEFINITION WITH UP TO 10° OF ADJUSTMENT.
  - HARDWARE TORQUE SETTINGS: (FLASH-HEAD TO BRACKET) AS FOLLOWS:  
 BOLTS: (STL. STEEL) 3/8-16 UNC = 20 FT. LBS.  
 JAW NUTS: (STL. STEEL) 1/2-13 UNC = 43 FT. LBS.  
 JAW NUTS: (SILICONE BRONZE) 1/2-13 UNC = 40 FT. LBS.

- GPS ANTENNA:**
  - PERMITS SYNCHRONIZATION TO OTHER BEACONS.
  - IT MUST HAVE AN UNOBSTRUCTED VIEW OF THE SKY.
- WEATHER-TIGHT CONNECTOR:** TO BE PROVIDED BY OTHERS.
- DIMENSIONS:** ALL DIMENSIONS WITHIN BRACKETS [ ] ARE IN MILLIMETERS.
- WATERPROOF SEALANT:** INSTALLER TO APPLY WATERPROOF SEALANT COMPLETELY AROUND MOUNTING BRACKET BASE OR ANY ORIFICE, TO PREVENT MOISTURE FROM ENTERING NACELLE.

**ENGINEERING-PROPRIETARY**

DATE:	BY:	SG
08/28/15	SG	
08/28/15	MW	
08/28/15	MW	

**THIRD ANGLE PROJECTION**

**Flash Technology**  
 333 WINDY HILL LANE  
 FRANKLIN, IN 47927  
 UNITED STATES OF AMERICA  
 TEL: (616) 261-2800  
 FAX: (616) 261-2800

**Flash Technology**  
 FTSS370I  
 WITH RADAR INTERFACE  
 INSTALLATION DRAWING

SIZE: DWG NO.: 7790201  
 SCALE: NTS  
 SHEET: 1 OF 1

**COMPANY CONFIDENTIAL:** INFORMATION CONTAINED HEREIN IS CONFIDENTIAL. IT IS THE PROPERTY OF SPX CORPORATION. IT IS TO BE USED SOLELY FOR THE PURPOSE PROVIDED AND IT IS NOT TO BE DISCLOSED TO OTHERS WITHOUT THE PRIOR WRITTEN CONSENT OF SPX CORPORATION.