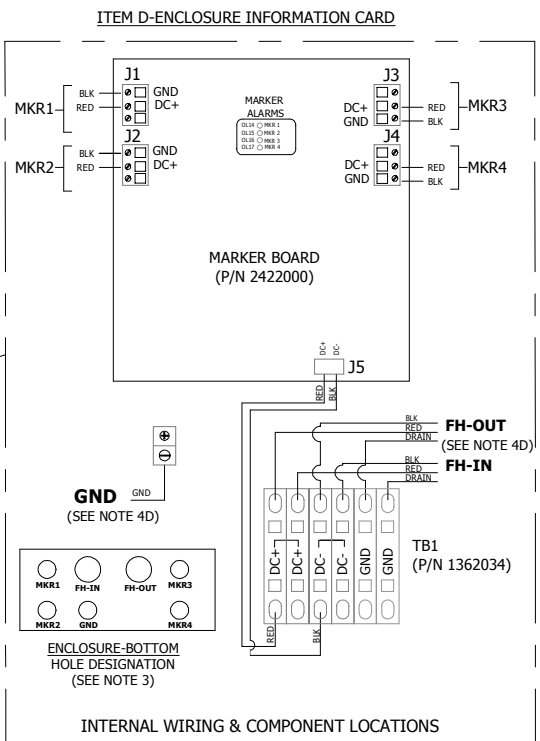


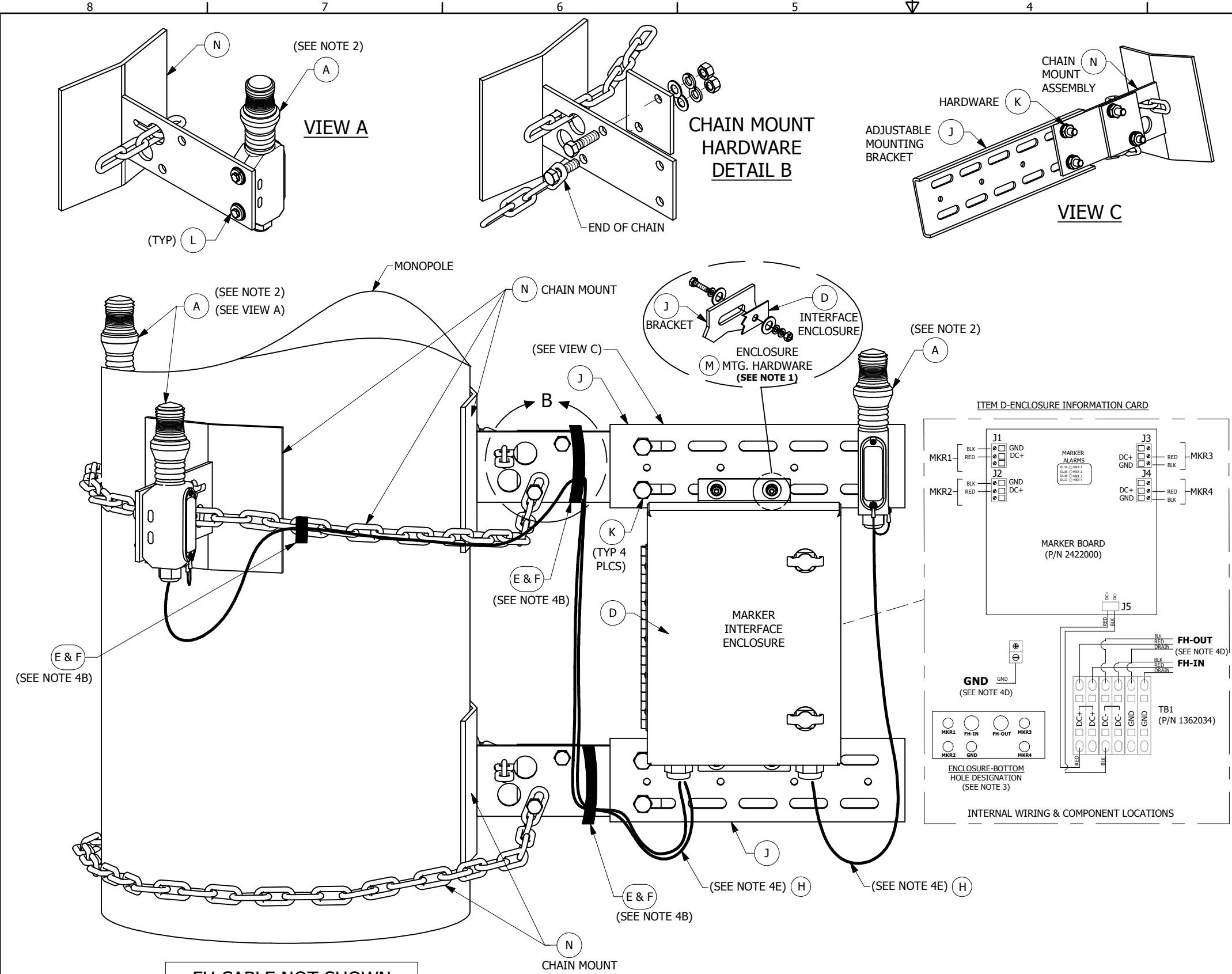
REVISIONS						
ZONE	REV	ECO	DESCRIPTION	REV B	DATE	APPR BY
	A	5801	PRODUCTION RELEASE	SPS	02/14/14	HK
	B	5861	ADDED ITEM A2 MKR 370 DC IR	SPS	05/20/14	HK
	C	6276	UPDATED MARKER BASE AND BOM	SG	11/16/16	HK

BILL OF MATERIAL				COMPONENT QTY		
ITEM	P/N	DESCRIPTION	2 MKR	3 MKR	UNITS	
	F19040XX / F19060XX	MARKER L810 MKR 370 DC KIT	2	3	EA	
A	F111900X	MARKER L810 MKR 370 DC	2	3	EA	
B	INCLUDED IN ASSEMBLY	F1903120	MKR 370 ADJUSTABLE STRAP KIT VANGUARD (NOT SHOWN)	2	3	EA
		F5990252	CLAMP ADJUSTABLE 2" - 10" (NOT SHOWN)	4	6	EA
C	F7904208	VANGUARD DC MARKER QUICK START GUIDE (NOT SHOWN)	1	1	EA	
D	F190391X	MKR 370 MARKER INTERFACE ENCLOSURE	1	1	EA	
	F1137004	MKR 370 HARDWARE KIT MONOPOLE CHAIN DC VANGUARD	1	1	EA	
E	F5900905	TAPE, ELECTRIC, 2"	1	1	EA	
F	F5900906	TAPE, FILAMENT, 1"	1	1	EA	
G	F5991728	TAPE, 0.75" BLACK ELECTRIC	1	1	EA	
H	F4218000	CABLE TRAY RATED 18AWG/2C, 60 FT	1	1	EA	
J	F3990810	BRACKET, ADJUSTABLE MOUNTING	2	2	EA	
	F5991790	HARDWARE MOUNTING ASSY 1/2"	2	2	EA	
K	INCLUDED IN ASSEMBLY HARDWARE	F5998335	NUT HEX 1/2 HDG	4	4	EA
		F5998336	LOCKWASHER, HOT DIPPED GALVANIZED, 1/2"	4	4	EA
		F5998337	FLATWASHER, HOT DIPPED GALVANIZED, 1/2"	4	4	EA
	F5991797	HARDWARE MOUNTING ASSY 1/4 MARKER	3	3	EA	
L	INCLUDED IN ASSEMBLY HARDWARE	F5900759	SCREW 1/4-20 X 1 HEX HEAD SS	6	6	EA
		F5901141	WASHER LOCK 1/4 SS	6	6	EA
	F5901101	WASHER FLAT 1/4 X 1	6	6	EA	
M	INCLUDED IN ASSEMBLY HARDWARE	F5991717	HARDWARE, MOUNTING ASSY, 1/4-20	1	1	EA
		F5900759	SCREW HEX HEAD, 1/4-20 X 1" SS	4	4	EA
	F5901101	FLATWASHER, 1/4"	8	8	EA	
	F5998337	FLATWASHER, HOT DIPPED GALVANIZED, 1/2"	8	8	EA	
	F5901141	LOCKWASHER, 1/4 SS	4	4	EA	
	F5900444	NUT HEX 1/4-20 SS	4	4	EA	
N	INCLUDED IN ASSEMBLY HARDWARE	F5370989	CHAIN MOUNT SUPPORT WITH HARDWARE	1	1	EA
		F3991260	CHAIN MOUNT ANGLE BRACKET	4	4	EA
		F5380010	CHAIN MOUNT CHAIN LOCK	2	2	EA
		F5380020	CHAIN MOUNT CHAIN 1/4" - 15FT LONG	2	2	EA
		F5998337	FLATWASHER, HOT DIPPED GALVANIZED, 1/2"	4	4	EA
		F5998336	LOCKWASHER, HOT DIPPED GALVANIZED, 1/2"	4	4	EA
	F5998335	NUT HEX 1/2 HDG	4	4	EA	
	F5998333	BOLT HEX 1/2 X 1 3/4 LONG HDG	4	4	EA	



INSTALLATION NOTES

- 1. MARKER INTERFACE ENCLOSURE INSTALLATION :**
LOCATE AND INSTALL MARKER INTERFACE ENCLOSURE (D) TO ADJUSTABLE MOUNTING BRACKET (J).
- 2. INSTALLING MARKER FIXTURE:**
EVERY EFFORT SHOULD BE MADE TO INSTALL MARKER (A) VERTICAL. HOWEVER PERMISSIBLE MARKER ANGLE IS UP TO 5°.
- 3. INSTALLING CABLE (H) THROUGH CORD GRIPS:**
A) INSERT CABLE (H) THROUGH CORD GRIP, LEAVING ENOUGH CABLE LENGTH TO MAKE ELECTRICAL CONNECTIONS.
B) FROM THE OUTSIDE OF THE MARKER INTERFACE ENCLOSURE, TIGHTEN CORD GRIP TO SECURE CABLE (H).
- 4. INSTALLING CABLE (H) AND ELECTRICAL CONNECTIONS :**
A) DIRECT ALL CONNECTING CABLES DOWN AND AWAY FROM MARKER INTERFACE ENCLOSURE TO PREVENT MOISTURE FROM ENTERING THE BOX.
B) SECURE ALL CABLES USING THE STANDARD 2-3-4 TAPING METHOD (E & F) AS DIRECTED IN EQUIPMENT MANUAL.
C) INSTALL A DRIP LOOP, FOR CABLE, NEAR THE MARKER INTERFACE ENCLOSURE AND AT EACH MARKER FIXTURE.
D) FLASHHEAD AND GROUND CABLES TO BE INSTALLED PER MANUAL (SEE MARKER INTERFACE WIRING SECTION).
E) REFER TO MARKER QUICK START GUIDE (C) FOR PROPER ELECTRICAL CONNECTIONS.
- 5. TECHNICAL SUPPORT:**
FOR TECHNICAL SUPPORT CALL "NOC" (1-800-821-5825).



FH CABLE NOT SHOWN
GND CABLE NOT SHOWN

DC MARKER INSTALLATION MONOPOLE CHAIN MOUNT (3 MARKERS SHOWN)

UNLESS OTHERWISE SPECIFIED DIMENSIONS ARE IN INCHES TOLERANCES:		ENGINEERING - PROPRIETARY		Flash Technology	
.XX DECIMAL	.XXX DECIMAL	DRAWN BY: SPS	DATE: 02/14/14	TITTLE	
± 0.02	± 0.010	CHECKED BY: HK	DATE: 02/14/14	MKR 370 DC MONOPOLE CHAIN INSTALLATION DRAWING	
ANGLES ± 1°	SURFACE QUALITY ✓ MAX	ENGINEER: HK	DATE: 02/14/14	SIZE DWG NO: 7790109	
MATERIAL: SEE BOM		THIRD ANGLE PROJECTION		REV C	
FINISH: NA		SCALE: NTS		SHEET: 1 OF 1	

COMPANY CONFIDENTIAL: INFORMATION CONTAINED HEREIN IS CONFIDENTIAL. IT IS THE PROPERTY OF SPX CORPORATION. IT IS TO BE USED SOLELY FOR THE PURPOSE PROVIDED, AND IT IS NOT TO BE DISCLOSED TO OTHERS WITHOUT THE PRIOR WRITTEN CONSENT OF SPX CORPORATION.