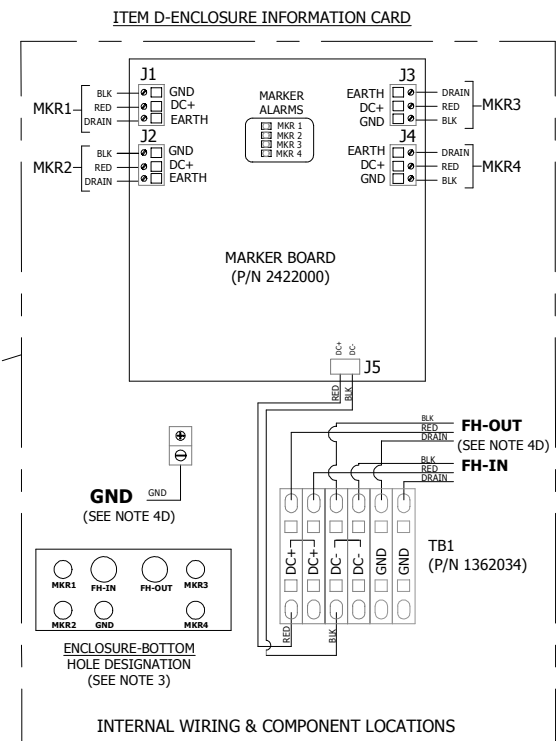


REVISIONS						
ZONE	REV	ECO	DESCRIPTION	REV B	DATE	APPR BY
	A	5801	PRODUCTION RELEASE	SPS	02/14/14	HK
	B	5861	ADDED ITEM A2 MKR 370 DC IR	SPS	05/20/14	HK
	C	6276	UPDATED MARKER BASE AND BOM	SG	11/16/16	HK
	D	6437	UPDATE MKR 370 TO MKR 371	SG	08/07/17	

BILL OF MATERIAL						
ITEM	P/N	DESCRIPTION	COMPONENT QTY		UNITS	
			2 MKR	3 MKR		
	F19000XX	10XX / 20XX / 30XX	MARKER L810 MKR 371 DC KIT	2	3	EA
A	F111901X	MARKER L810 MKR 371 DC		2	3	EA
B	F1903120	MKR 370 ADJUSTABLE STRAP KIT VANGUARD (NOT SHOWN)		2	3	EA
		INCLUDED IN ASSEMBLY F5990252 CLAMP ADJUSTABLE 2" - 10" (NOT SHOWN)		4	6	EA
C	F7904214	MKR 371 QUICK START GUIDE (NOT SHOWN)		1	1	EA
D	F190391X	MKR 370 MARKER INTERFACE ENCLOSURE		1	1	EA
	F1137004	MKR 370 HARDWARE KIT MONOPOLE CHAIN DC VANGUARD		1	1	EA
E	F5900905	TAPE, ELECTRIC, 2"		1	1	EA
F	F5900906	TAPE, FILAMENT, 1"		1	1	EA
G	F5991728	TAPE, 0.75" BLACK ELECTRIC		1	1	EA
H	F4218000	CABLE TRAY RATED 18AWG/2C, 60 FT		1	1	EA
J	F3990810	BRACKET, ADJUSTABLE MOUNTING		2	2	EA
K	F5991790	HARDWARE MOUNTING ASSY 1/2"		2	2	EA
		INCLUDED IN ASSEMBLY F5998335 NUT HEX 1/2 HDG		4	4	EA
		F5998336 LOCKWASHER, HOT DIPPED GALVANIZED, 1/2"		4	4	EA
		F5998337 FLATWASHER, HOT DIPPED GALVANIZED, 1/2"		4	4	EA
L	F5991797	HARDWARE MOUNTING ASSY 1/4 MARKER		3	3	EA
		INCLUDED IN ASSEMBLY F5900759 SCREW 1/4-20 X 1 HEX HEAD SS		6	6	EA
		F5901141 WASHER LOCK 1/4 SS		6	6	EA
		F5901101 WASHER FLAT 1/4 X 1		6	6	EA
M	F5991717	HARDWARE, MOUNTING ASSY, 1/4-20		1	1	EA
		INCLUDED IN ASSEMBLY F5900759 SCREW HEX HEAD, 1/4-20 X 1" SS		4	4	EA
		F5901101 FLATWASHER, 1/4"		8	8	EA
		F5998337 FLATWASHER, HOT DIPPED GALVANIZED, 1/2"		8	8	EA
N	F5900444	NUT HEX 1/4-20 SS		4	4	EA
		INCLUDED IN ASSEMBLY F5900444 NUT HEX 1/4-20 SS		4	4	EA
		F5370989 CHAIN MOUNT SUPPORT WITH HARDWARE		1	1	EA
		F3991260 CHAIN MOUNT ANGLE BRACKET		4	4	EA
		F5380010 CHAIN MOUNT CHAIN LOCK		2	2	EA
		F5380020 CHAIN MOUNT CHAIN 1/4" - 15FT LONG		2	2	EA
		F5998337 FLATWASHER, HOT DIPPED GALVANIZED, 1/2"		4	4	EA
		F5998336 LOCKWASHER, HOT DIPPED GALVANIZED, 1/2"		4	4	EA
F5998335 NUT HEX 1/2 HDG		4	4	EA		
F5998333 BOLT HEX 1/2 X 1 3/4 LONG HDG		4	4	EA		



INSTALLATION NOTES

- MARKER INTERFACE ENCLOSURE INSTALLATION :**
LOCATE AND INSTALL MARKER INTERFACE ENCLOSURE (D) TO ADJUSTABLE MOUNTING BRACKET (J).
- INSTALLING MARKER FIXTURE:**
EVERY EFFORT SHOULD BE MADE TO INSTALL MARKER (A) VERTICAL. HOWEVER PERMISSIBLE MARKER ANGLE IS UP TO 5°.
- INSTALLING CABLE (H) THROUGH CORD GRIPS:**
A) INSERT CABLE (H) THROUGH CORD GRIP, LEAVING ENOUGH CABLE LENGTH TO MAKE ELECTRICAL CONNECTIONS.
B) FROM THE OUTSIDE OF THE MARKER INTERFACE ENCLOSURE, TIGHTEN CORD GRIP TO SECURE CABLE (H).
- INSTALLING CABLE (H) AND ELECTRICAL CONNECTIONS :**
A) DIRECT ALL CONNECTING CABLES DOWN AND AWAY FROM MARKER INTERFACE ENCLOSURE TO PREVENT MOISTURE FROM ENTERING THE BOX.
B) SECURE ALL CABLES USING THE STANDARD 2-3-4 TAPING METHOD (E & F) AS DIRECTED IN EQUIPMENT MANUAL.
C) INSTALL A DRIP LOOP, FOR CABLE, NEAR THE MARKER INTERFACE ENCLOSURE AND AT EACH MARKER FIXTURE.
D) FLASHHEAD AND GROUND CABLES TO BE INSTALLED PER MANUAL (SEE MARKER INTERFACE WIRING SECTION).
E) REFER TO MARKER QUICK START GUIDE (C) FOR PROPER ELECTRICAL CONNECTIONS.
- TECHNICAL SUPPORT:**
FOR TECHNICAL SUPPORT CALL "NOC" (1-800-821-5825).

FH CABLE NOT SHOWN
GND CABLE NOT SHOWN

**DC MARKER INSTALLATION MONOPOLE CHAIN MOUNT
(3 MARKERS SHOWN)**

COMPANY CONFIDENTIAL: INFORMATION CONTAINED HEREIN IS CONFIDENTIAL. IT IS THE PROPERTY OF SPX CORPORATION. IT IS TO BE USED SOLELY FOR THE PURPOSE PROVIDED, AND IT IS NOT TO BE DISCLOSED TO OTHERS WITHOUT THE PRIOR WRITTEN CONSENT OF SPX CORPORATION.

UNLESS OTHERWISE SPECIFIED DIMENSIONS ARE IN INCHES TOLERANCES: XX DECIMAL ± 0.02 ANGLES ± 1° SURFACE QUALITY MAX ✓	ENGINEERING - PROPRIETARY	Flash Technology 332 NICHOL MILL LANE FRANKLIN, TN 37067 UNITED STATES OF AMERICA PHN: (615) 503-2000 FAX: (615) 281-2800
	DRAWN BY: SPS DATE: 02/14/14 CHECKED BY: HK DATE: 02/14/14 ENGINEER: HK DATE: 02/14/14	
TITLE MKR 371 DC MONOPOLE CHAIN INSTALLATION DRAWING	THIRD ANGLE PROJECTION	SIZE DWG NO: D 7790109
MATERIAL: SEE BOM FINISH: NA	SCALE: NTS	REVISIONS D 1 OF 1