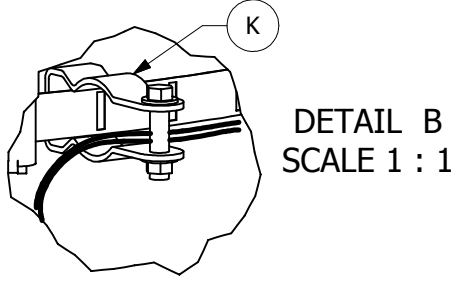
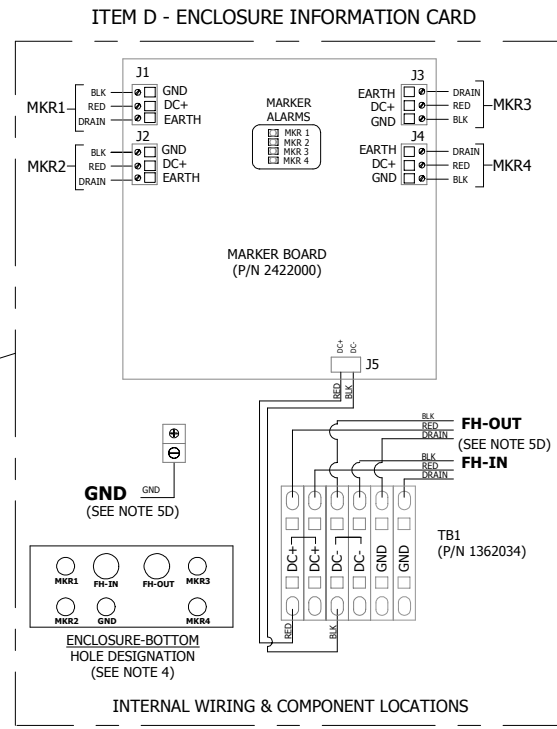
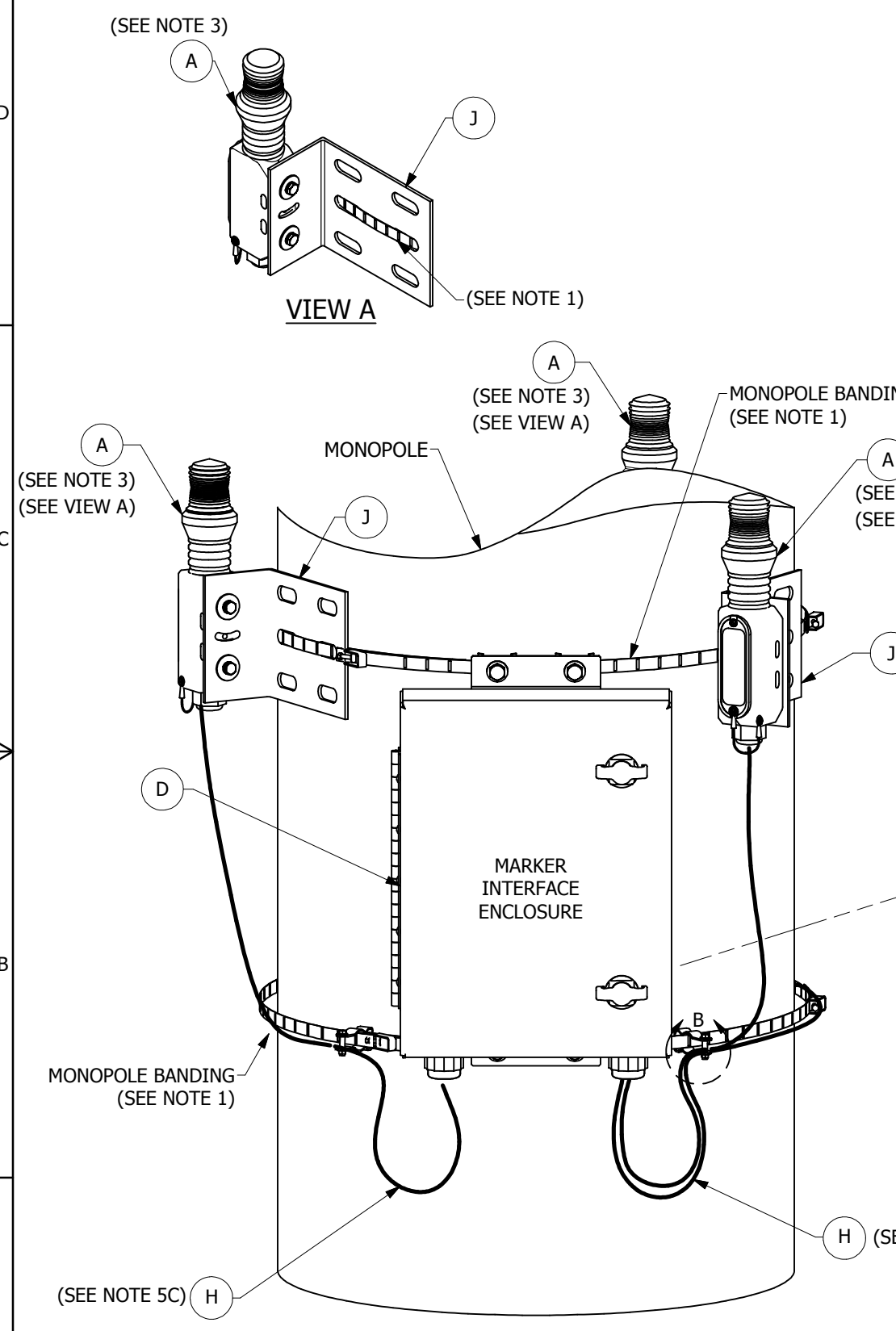
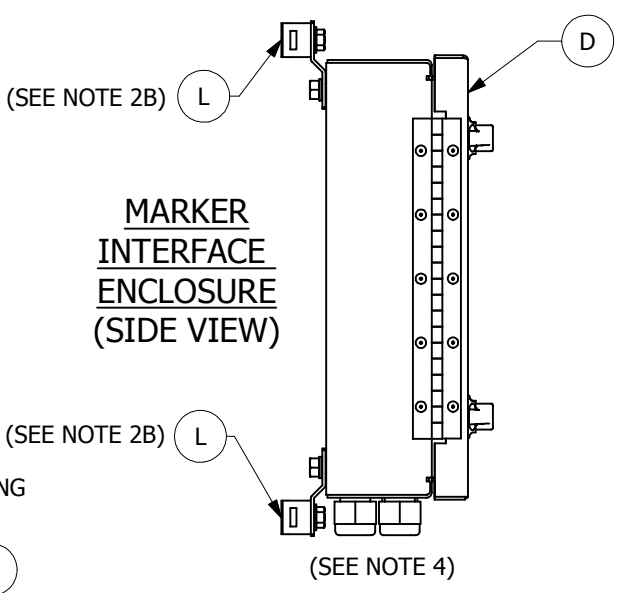


REVISIONS						
ZONE	REV	ECO	DESCRIPTION	REV	DATE	APPR BY
	A	5801	PRODUCTION RELEASE	SPS	02/14/14	HK
	B	5861	ADDED ITEM A2 MKR 370 DC IR	SPS	05/20/14	HK
	C	6276	UPDATED MARKER BASE AND BOM	SG	11/16/16	HK
	D	6437	UPDATE MKR 370 TO MKR 371	SG	08/07/17	

BILL OF MATERIAL					COMPONENT QTY	
ITEM	P/N	DESCRIPTION	2 MKR	3 MKR	UNITS	
	F19000XX / 10XX / 20XX / 30XX	MARKER L810 MKR 371 DC KIT	2	3	EA	
A	INCLUDED IN ASSEMBLY F111901X	MARKER L810 MKR 371 DC	2	3	EA	
B	INCLUDED IN ASSEMBLY F1903120	MKR 370 ADJUSTABLE STRAP KIT VANGUARD (NOT SHOWN)	2	3	EA	
	INCLUDED IN ASSEMBLY F5990252	CLAMP ADJUSTABLE 2" - 10" (NOT SHOWN)	4	6	EA	
C	INCLUDED IN ASSEMBLY F7904214	MKR 371 QUICK START GUIDE (NOT SHOWN)	1	1	EA	
D	F190391X	MKR 370 MARKER INTERFACE ENCLOSURE STAINLESS STEEL (SEE NOTE 2A)	1	1	EA	
	F1137003	MKR 370 HARDWARE KIT MONO-BAND DC VANGUARD	1	1	EA	
E	F5900905	TAPE, ELECTRIC, 2"	1	1	EA	
F	F5900906	TAPE, FILAMENT, 1"	1	1	EA	
G	F5991728	TAPE, 0.75" BLACK ELECTRIC	1	1	EA	
H	INCLUDED IN ASSEMBLY F4218000	CABLE TRAY RATED 18AWG/2C, 60 FT	1	1	EA	
	INCLUDED IN ASSEMBLY F1903130	MKR 370 ADJUSTABLE BRACKET KIT VANGUARD	3	3	EA	
	INCLUDED IN ASSEMBLY F3991370	BRACKET MARKER 370	3	3	EA	
	INCLUDED IN ASSEMBLY F5900761	SCREW HEX HEAD, 1/4-20 X 3/4" PPH	6	6	EA	
	INCLUDED IN ASSEMBLY F5991141	LOCKWASHER, 1/4 SS	6	6	EA	
	INCLUDED IN ASSEMBLY F5901101	FLATWASHER, 1/4"	6	6	EA	
K	F5991774	CONDUIT HANGER WITH BOLT 1/2 - 4 IN	6	6	EA	
L	F5991776	BRACKET BAND FLARED LEG WITH BOLT 1/2 IN	4	4	EA	



- ### INSTALLATION NOTES
- BANDING MOUNT INSTALLATION :**
CUSTOMER TO PROVIDE MONOPOLE BANDING AND HARDWARE.
 - MARKER INTERFACE ENCLOSURE INSTALLATION :**
A) LOCATE AND INSTALL MARKER INTERFACE ENCLOSURE (D) TO BRACKET BAND FLARED LEG (L).
B) LOCATE AND INSTALL MONOPOLE BANDING (NOT PROVIDED BY FLASH TECHNOLOGY) THROUGH CENTER SLOTS ON BRACKET BAND FLARED LEG (L).
 - INSTALLING MARKER FIXTURE:**
A) EVERY EFFORT SHOULD BE MADE TO INSTALL MARKER (A) VERTICAL HOWEVER PERMISSIBLE MARKER ANGLE IS UP TO 5°. B) LOCATE AND INSTALL MARKER BRACKET (J) AT CENTER SLOT LOCATION ONTO MONOPOLE BANDING (NOT PROVIDED BY FLASH TECHNOLOGY).
 - INSTALLING CABLE (H) THROUGH CORD GRIPS:**
A) INSERT CABLE (H) THROUGH CORD GRIP, LEAVING ENOUGH CABLE LENGTH TO MAKE ELECTRICAL CONNECTIONS. B) FROM THE OUTSIDE OF THE MARKER INTERFACE ENCLOSURE, TIGHTEN CORD GRIP TO SECURE CABLE (H).
 - INSTALLING CABLE (H) AND ELECTRICAL CONNECTIONS :**
A) DIRECT ALL CONNECTING CABLES DOWN AND AWAY FROM MARKER INTERFACE ENCLOSURE TO PREVENT MOISTURE FROM ENTERING THE BOX.
B) SECURE ALL CABLES USING THE STANDARD 2-3-4 TAPING METHOD (E & F) AS DIRECTED IN EQUIPMENT MANUAL.
C) INSTALL A DRIP LOOP, FOR CABLE, NEAR THE MARKER INTERFACE ENCLOSURE AND AT EACH MARKER FIXTURE.
D) FLASHHEAD AND GROUND CABLES TO BE INSTALLED PER MANUAL (SEE MARKER INTERFACE WIRING SECTION.)
E) REFER TO MARKER QUICK START GUIDE (C) FOR PROPER ELECTRICAL CONNECTIONS.
 - TECHNICAL SUPPORT:**
FOR TECHNICAL SUPPORT CALL "NOC" (1-800-821-5825).

DC MARKER INSTALLATION MONOPOLE BANDING (3 MARKERS SHOWN)

UNLESS OTHERWISE SPECIFIED DIMENSIONS ARE IN INCHES TOLERANCES:		ENGINEERING - PROPRIETARY		Flash Technology	
.XX DECIMAL	± 0.02	.XXX DECIMAL	± 0.010	DRAWN BY: SPS	DATE: 02/14/14
ANGLES	± 1°	SURFACE QUALITY	✓ MAX	CHECKED BY: HK	DATE: 02/14/14
MATERIAL:	SEE BOM	THIRD ANGLE PROJECTION		ENGINEER: HK	DATE: 02/14/14
FINISH:	NA			TITLE: MRK 371 DC MONOPOLE BANDING INSTALLATION DRAWING SIZE: D DWG NO: 7790110 REV: D SCALE: NTS SHEET: 1 OF 1	

COMPANY CONFIDENTIAL: INFORMATION CONTAINED HEREIN IS CONFIDENTIAL. IT IS THE PROPERTY OF SPX CORPORATION. IT IS TO BE USED SOLELY FOR THE PURPOSE PROVIDED, AND IT IS NOT TO BE DISCLOSED TO OTHERS WITHOUT THE PRIOR WRITTEN CONSENT OF SPX CORPORATION.