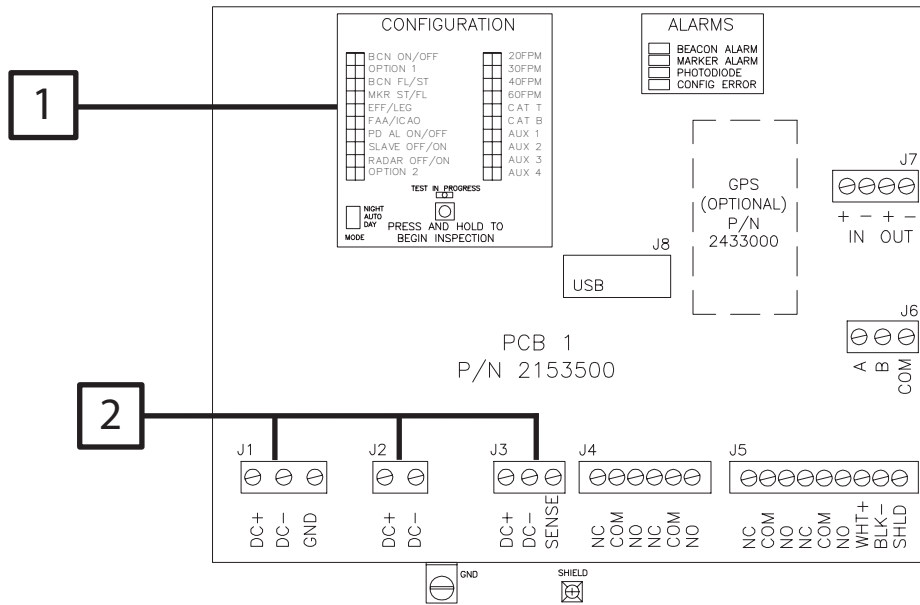


Vanguard® Red - FTS 371 SMART DC



Attention: After installation, you must call 1-800-821-5825 to activate warranty.

1 Configuration Switches

The following switch bank is used to program the system for a variety of installation situations. The controller will be pre-programmed from the factory for the customer requested configuration.

The system has a built-in test function to assist with lighting inspections. The inspection button is located next to the override switch.

Also included is the manual mode override switch which has a built-in (30) minute timer.

The dial labeled "MARKER #" should be positioned to match the number of installed markers.



Controller Ground

Connect a #2 AWG wire to the provided ground lug for system grounding. Route the other end of the wire to the site grounding grid or collective buss bar. Ensure the use of an anti-corrosive agent is used on all terminal wire ends.

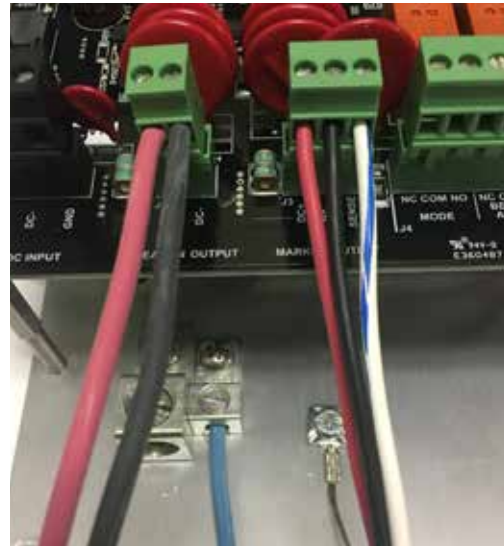
2 Incoming Power, BCN, & MKR Connections

Incoming DC voltage is wired to J1 and accepts either 24 or 48VDC

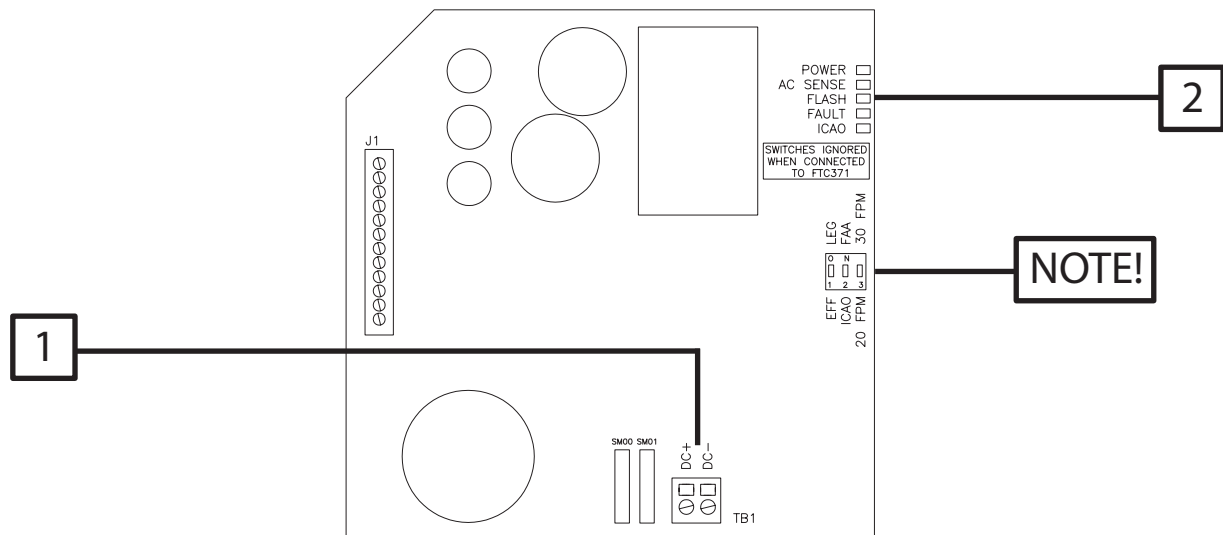
The flash head and marker cables are wired directly to the lighting controller PCB1 on connectors J2 and J3. The system can be installed with (1) red LED beacon and up to (8) 371 LED markers.



NOTE!! The blue (ground) wire of the beacon cable and the shield wire of the marker cable must be securely attached to the pre-installed lugs located on the controller backplate as shown below.



FH 371 DC Red LED Beacon



1 Flashhead Cable Connection/Input Power

The flashhead cable will terminate on TB1 to provide DC voltage to allow the flashhead to turn on. Ensure the blue (ground) wire is connected to the flashhead base as shown below.



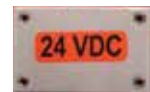
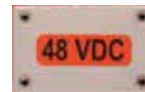
2 Status LEDs

The status LEDs provide an indication of the system health and programming conditions.



CAUTION!!

There is a 24VDC and a 48VDC version of the red LED flashhead. To avoid system damage ensure that the controller's input DC voltage matches the label found on the inside of the flashhead (see below).



Flashhead Grounding

Connect a minimum # 8 AWG grounding wire to the pre-installed grounding lug. Connect the other end of the wire directly to tower steel, collective buss bar, or customer preferred location. Ensure the use of an anti-corrosive agent is used on all terminal ends.

NOTE! The switch bank settings are ignored when connected to an FTS 371 controller.



Flash University offers detailed, component level, hands-on installation and troubleshooting training in a classroom setting.

Visit our website to setup your class

flashtechology.com