



# Portable Airfield Lighting Trailer (PALT)

Install airfield lighting in minutes with the Portable Airfield Lighting Trailer system.

- Stores and charges 112 lights for a complete 10,000-foot / 3,000-meter runway
- Configurable to meet runway lengths of 1,500 to 10,000 feet / 500 to 3,000 meters
- Air transportable and towable to expedite airfield light installation
- Integrated AC and solar charging system ensures airfield lights are always ready

## Applications

The PALT combines our rugged cable and transportation trailer product line with our trusted A704, A704-VL and PAPI solar airfield lights. Our system is ideal for:

- Military, police and airport operators
- Night vision goggle (NVG) and covert operations
- Humanitarian, disaster and medevac situations

## Compliant and Self-Contained

Airfield lights are a critical navigation aid for pilots and ours are:

- ICAO and FAA compliant
- Solar-powered—no cabling or civil works required
- Self-contained, integrated and sealed against water and dust to greater than IP68

## Proven in Austere Environments

Used worldwide in military environments for over 15 years, our airfield lights exceed operational requirements:

- Lightweight, compact and designed for portability with integrated handles, aviation yellow or olive drab chassis and military charge ports
- Wirelessly controlled up to 2.5 miles (4 km) with military-grade encryption
- High-efficiency LED optics
- Third-party tested for performance



The PALT system is easily configured to transport, charge and control these products:



Runway  
Edge Lights



Apron and Taxiway  
Edge Lights



Handheld  
Controller



Runway  
Threshold  
Lights



PAPI

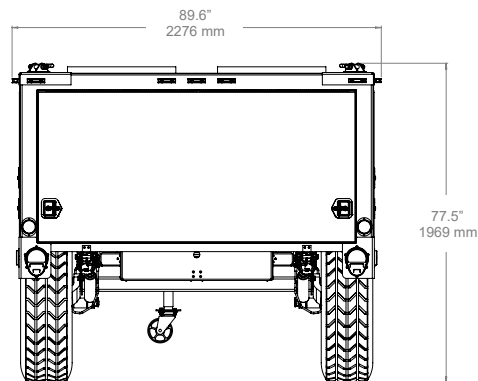
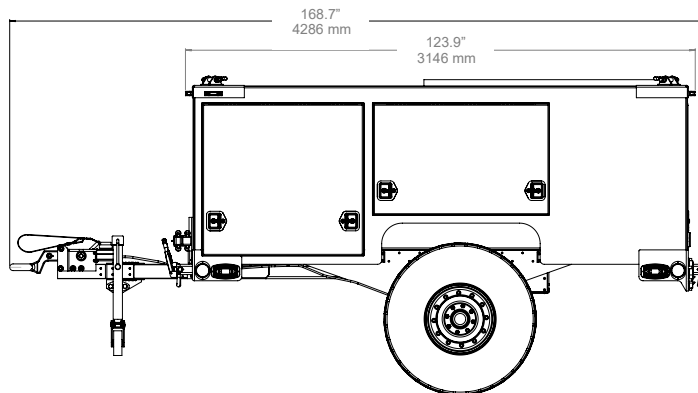


ARCAL

# PALT

## TRAILER

Features	Light Tactical Trailer (LTT) chassis matches the performance of US military HMMWV and NATO requirements
	Air transportable with lifting points
	Fits in standard cargo container
	Front and rear stabilization bars easily deploy during use
	Changeable tongue for ball-mount, pintle hook or lunette ring towing
	Hydraulic brakes, operating and blackout lights
	Rugged off-road suspension, wheels and run-flat tires
	Chromoly steel and aircraft aluminum chassis
Dimensions	Length: 168.7" (4286 mm) Width: 89.6" (2276 mm) Height: 77.5" (1969 mm) Track width: 72.5" (1840 mm)
	4200 lbs (1905 kg) maximum weight
	16" (410 mm) minimum ground clearance
	To this versatile platform, we add a comprehensive Go Power! industrial-grade solar charging system. Recharge via the sun or any AC outlet.
Solar System	Large 4x AGM battery bank recharge the airfield lights' batteries during storage
	320 W solar panel array recharges the battery bank when no AC power is available
	75A battery charger recharges the battery bank quickly when connected to AC power
Electrical	Integrated user readout including battery status, voltage and LVD
	NEMA electrical box with circuit breakers for easy maintenance



Simply open the easy-access doors, disconnect the charge port, remove the solar airfield light and place on the ground to assemble your airfield.

## AIRFIELD LIGHTING

Features	FAA and ICAO compliant lighting
	A704 white and white/yellow runway edge lights (quantity depends on runway length) + 12x A704 red/green threshold lights + optional A704-VL blue taxiway lights
	Visible and infrared (NVG-compatible IR) output
	Wireless control from up to 2.5 miles (4 km) away
	-40 to 176 °F (-40 to 80 °C) max. operating temperature

## CONFIGURATION

Model	Runway Light	Chassis	Options
PALT	1500'	Desert Tan	Permanent Lighting Mounts Taxiway Lights PAPI Systems Pilot-Activated ARCAL
	3000'	Olive Drab	
	6500'	Aviation Yellow	
	10000'	White	
	Others Available	Others Available	



### Handheld Controller

- 2.5 miles (4 km) control range
- 900 MHz with encrypted signal
- Control 8 groups of lights independently

# FLASH TECHNOLOGY

flashsales@spx.com | flashtechnology.com/airfield | 1.615.503.2000

©2019 Flash Technology. All rights reserved. Data and specifications subject to change without notification. ISO 9001:2015. DPALT-01 Rev A