

Solar Elevated Runway Guard Light (ERGL)

Flash Technology's solar Elevated Runway Guard Light (ERGL) provides a distinctive warning to pilots that they are approaching a runway holding position and are about to enter an active runway. The ERGL has a high-intensity LED light source and is powered by our industry leading solar engine power supply (SEPS).

- Provides 24-hour unidirectional marking at runway and taxiway intersections
- Installs in minutes and can be relocated just as quickly
- Includes LED lights, frangible column and tether
- Fixture flash-rate is controlled from an intelligent lighting control system module located in the SEPS; alternating flashes, 45-50 per minute
- Adjustable light beam be aimed both vertically and horizontally (0-20° vertically; ±20° horizontally)
- Significant reduction of maintenance costs and re-lamping expenses through long-lasting LED technology—average LED life of 56,000 hours under high-intensity conditions and more than 100,000 hours under actual operating conditions
- 7+ days of autonomy—scalable to meet requirements up to 40 days
- 5+ years of battery life



SEPS Models

The ERGL is available in 2 SEPS models: standard and wireless. With the standard SEPS, the unit runs 24/7. The wirelessly-controlled SEPS allows the unit to be activated remotely via the Handheld Controller, with either 900 MHz or 2.4 GHz communication.

Fixture Construction

The ERGL fixture is fabricated from corrosion-resistant materials and all exterior surfaces are painted aviation yellow for added protection and visibility. Includes high-strength ERGL base plate. The 2 ERGL light sources are surrounded by a black face plate and independent visors to reduce the amount of incident sunlight, thereby maximizing the contrast during the LED on/off cycle.

Installation

ERGL systems are typically installed in pairs with 1 unit on either side of the taxiway holding position. The ERGL should be installed according to FAA AC 150/5340-30. The SEPS should be installed on a level concrete pad within 20 feet of the ERGL. For a temporary application, the wiring between the SEPS and the ERGL can be above ground. Both the ERGL and SEPS contain side conduits for cabling access.

ERGL

OPERATING CONDITIONS

Temperature	-40 to +131 °F (-40 to +55 °C)
Humidity	0-100%
Wind	Withstands velocities up to 300 mph (480 kph)

SEPS SPECIFICATIONS

Installed Weight	132 lbs (59.8 kg)
Shipping Weight	Box 1 (SEPS): 76 lbs (34.4 kg)
	Box 2 (battery): 68 lbs (30.8 kg)
Installed Dimensions	42.9 x 29.9 x 17.4" (1089 x 759 x 441 mm)
	With wireless antenna at 55° tilt
Shipping Dimensions	Box 1 (SEPS): 46.9 x 25.5 x 14" (1191 x 647 x 356 mm)
	Box 2 (battery): 13.1 x 8.3 x 7.4" (332 x 210 x 188 mm)
Temperature	Operating: -22 to +122 °F (-30 to +50 °C)
	Storage: -40 to +176 °F (-40 to +80 °C)
Chassis	Weather and corrosion-resistant construction of stainless steel and powder-coated aluminum
Mounting	Frangible couplings and floor flange mounts
Wind Loading	300 mph (480 kph) min. installed at 55° tilt
Tilt	15°, 35°, 55°
Diagnostics	Onboard feedback indicators for: battery status, system status, battery reverse polarity and solar panel reverse polarity
Certifications	ROHS, WEEE, CE, FCC

BATTERY

Power	12V, 88Ah (20hr)
Type	Replaceable and recyclable, absorbent glass mat (AGM) SLA
Lifetime	4,000 cycles to 20% depth of discharge at +68°F (+20°C)
Charger	Temperature-compensated, maximum power point tracking (TC-MPPT)

LED DRIVER

Channel A	18-38 VDC from 0.3-1.4 A 5-100% duty cycle, constant current
Channel B	18-38 VDC from 0.3-1.4 A 5-100% duty cycle, constant current
Automatic Light Control (ALC)	ALC dynamically adjusts brightness in response to amounts of sunlight to ensure continued autonomous operation Available on channels A and B
Control, Autonomous Mode	Dusk-to-dawn flashing or 24-hour flashing
Load Cabling	22' (6.7 m) cable can exit onto the surface or down into a ground pot

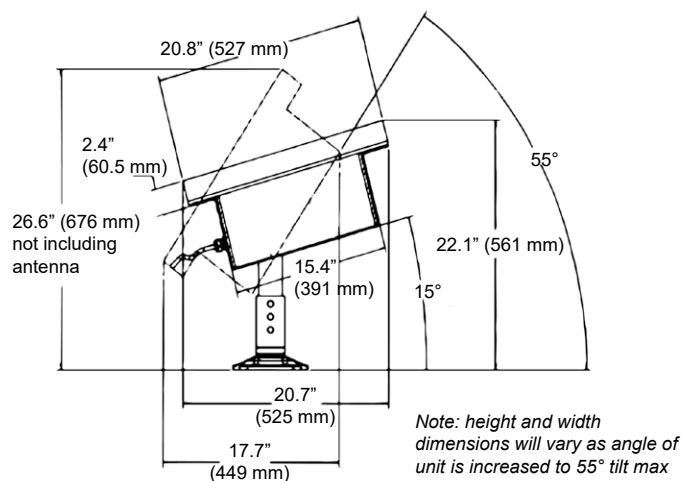
PV PANEL

Power	100 W
Type	High-efficiency monocrystalline, IEC 61215
Lifetime	10 years at 90% output

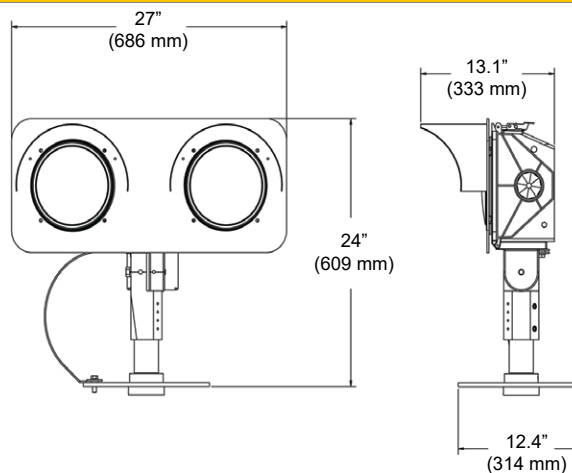
WIRELESS

Radio	900 MHz FHSS with encryption
	2.4 GHz DSSS with encryption
Control, On-Demand Mode	Seamless integration with existing Flash Technology wireless solar products
	Up to 8 independent groups Flash, emergency, autonomous, on-demand temporary (high, medium, low), configuration and ARCAL modes

SEPS DIMENSIONS



ERGL DIMENSIONS



FLASH TECHNOLOGY

flashsales@spx.com | flashtechnology.com/airfield | 1.615.503.2000

©2021 Flash Technology. All rights reserved. Data and specifications subject to change without notification. ISO 9001:2015. DERGL-01 Rev C