



Solar-Illuminated Wind Cone

Flash Technology's solar wind cone is a cost-effective, low-maintenance solution for improving safety at temporary, permanent and emergency airports and heliports.

- Internally or externally LED illuminated
- Powered by a robust solar power supply (SPS)
- Designed to meet L-806L or L-807L under FAA AC 150/5345-27
- Compliant with ICAO Annex 14 Volume 1 6th Edition

Easy Installation and Relocation

No specialized work crews required. Limited air traffic disruption. Functions immediately upon installation. Optional Handheld Controller allows for wireless operation including mode changes for enhanced visibility in poor weather conditions up to 2.5 miles (4 km) away.

The Wind Cone should be installed according to FAA AC 150/5340-30. The SPS should be installed on a level concrete pad between a minimum of 12 feet and a maximum 15 feet from the wind cone.

Rugged, Weatherproof Design

Sealed bearings for precision vaning and true wind direction in all types of weather and wind conditions. Additional bearing covers provided for protection against dirt and moisture. Water-repellent and color-fast nylon sock is resistant to rot and mildew. Standard orange or white/orange sock.

Reliable Performance

The SPS provides power to the wind cone in a simple to install package. Nominal 10-day autonomy (operation without solar charging) ensures consistent performance with a minimum 5-year battery service life.

The Wind Cone's operation is entirely dependent on the direction and relative velocity of surface wind. Movement of the wind through the open throat of the cage and into the sock causes the tail to inflate. The tail of the inflated sock indicates true wind direction for velocities as low as 3 knots through a 360° circle about the vertical shaft.



Optional Handheld Controller

- 2.5 miles (4 km) control range
- 2.4 GHz or 900 MHz with encrypted signal
- Control 8 groups of lights independently

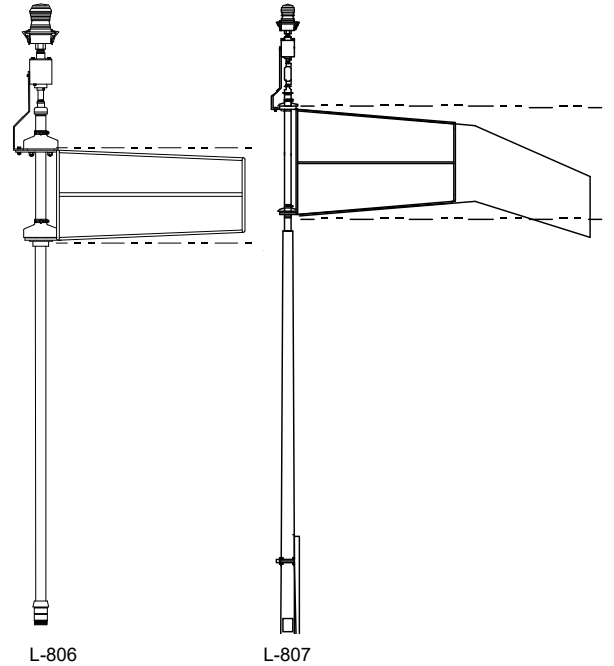
Wind Cone

WIND CONE SPECIFICATIONS

L-806	Frangible 8' windsock
	Unlit, internally lit or externally lit
	Height: 122" (3099 mm)
L-807	Non-frangible with center hinge
	Unlit, internally lit or externally lit
	Size 1 height: 246" (6248 mm) Size 2 height: 264" (6076 mm)
Temperature	-49 to +131 °F (-45 to +55 °C)
Humidity	0-100%

SPS SPECIFICATIONS

Installed Weight	50 W (2 batteries): 86 lbs (39 kg)
	135 W (2 batteries): 268 lbs (121.6 kg)
Shipping Weight	50 W: 285 lbs (129 kg)
	135 W: 395 lbs (179 kg)
Installed Dimensions	Height: 37-55" (940-1400 mm)
	Width: 33 or 59" (840 or 1500 mm)
Temperature	Operating and storage: -40 to +131 °F (-40 to +55 °C)
Chassis	Weather and corrosion-resistant construction of steel and powder-coated aluminum
Mounting	Frangible couplings and floor flange mounts
Wind Loading	120 mph (193 kph) min. for 135 W installed at 65° tilt
Tilt	25-65° in 10° steps
Diagnostics	Onboard feedback indicators for battery and system status
Certifications	CE, FCC
Battery	
Power	2x 12 VDC 100 Ahr standard
Type	Replaceable, recyclable, absorbent glass mat (AGM) SLA Standard with 1 battery
Charger	Temperature-compensated, maximum power point tracking (TC-MPPT)
PV Panel	
Power	50, 135 W
Type	High-efficiency polycrystalline, IEC 61215
Lifetime	12 years at 90% output



CONFIGURATION

Model	Type	Illumination	Sock	Control	Options
Wind Cone	L-806 Frangible L-807 Size 1, Hinged L-807 Size 2, Hinged	Unlit Internally Lit Externally Lit	Orange White/Orange	Non-Wireless Wireless (900 MHz) Wireless (2.4 GHz)	Floor Flange



FLASH TECHNOLOGY 

flashsales@spx.com | flashtechnology.com/airfield | 1.615.503.2000

©2021 Flash Technology. All rights reserved. Data and specifications subject to change without notification. ISO 9001:2015. DCONE-01 Rev B